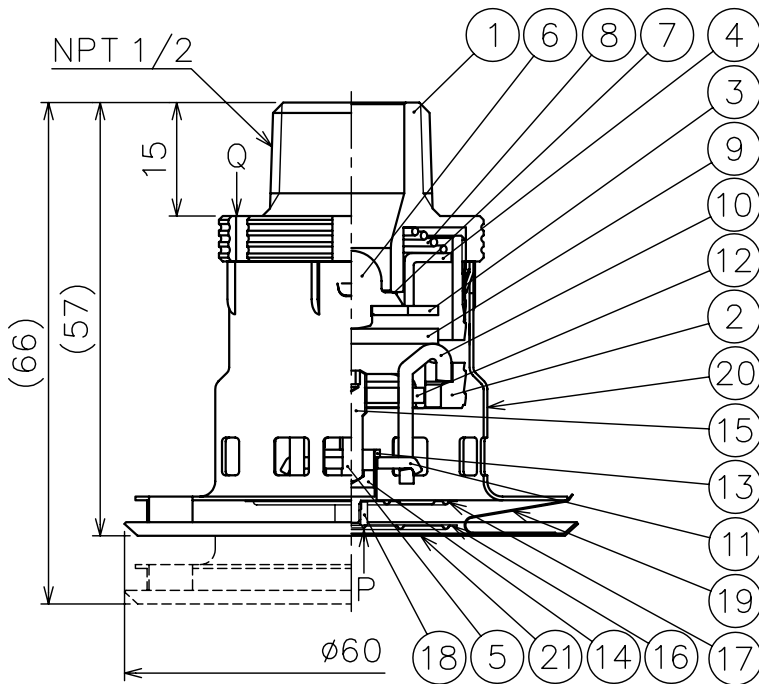


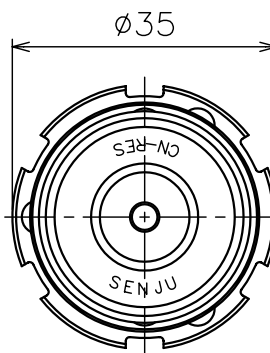
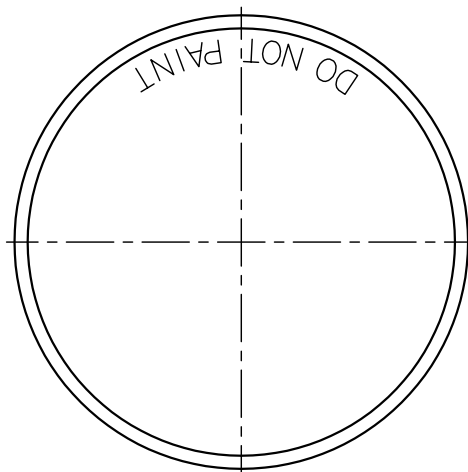
No. of Parts	Name of Parts	Material	Qua'ty	Remark	No. of Parts	Name of Parts	Material	Qua'ty	Remark
1	Body	C69300	1		12	Supporting Plate	SUS304	1	
2	Flame	CAC406C	1	Cr-Plated	13	Cylinder	C5341 or C5441	1	
3	Deflector	C5191	1		14	Plunger	SUS303	1	
4	Guide Ring	SUS304	1		15	Set Screw	SUS304 or SUSXM7	1	
5	Guide Pin	SUS304	2		16	Heat Collector (U)	C1100 or C1020	1	
6	Valve Cap	C69300	1		17	Heat Collector (L)	C1100 or C1020	1	
7	Gasket	PTFE	1		18	Nut	C3604	1	
8	Coned Coil Spring	SUS304	1		19	Ejection Spring	SUS304-CSP	1	
9	Saddle	SUS304	1		20	Retainer	SPCC	1	Cu-Plated
10	Lever	SUS304	2		21	Cover Plate	C1100 or C1020	1	※
11	Balancer	SUS304	1		※Finishes ; Chrome plated White Painted Black Painted Dark Brown Painted				



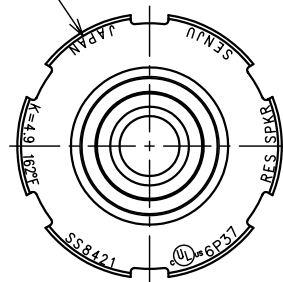
Specification

Type	CN-RES 162°F K4.9	
Operating Temperature	Cover Plate	140°F (60°C)
	Sprinkler Head	162°F (72°C)
Installation Position	Pendent	
K-Factor	4.9	
ID No.	SS8421	

RES SPKR : Category
6P37 : Control No.
cULus : C-UL US Listing Mark
SS8421 : SPRINKLER IDENTIFICATION No.
162°F : Temperature rating
K=4.9 : K-factor



View : P



View : Q

UL and C-UL Listed

Drawing Name Automatic Sprinkler Head CN-RES K4.9	Issued Date : 10/02/26	Drawn by	A. Onodera
	Projection Angle 3 r d	Checked by	T. Hatakeyama
	Scale : 1 / 1	Approved by	A. Hotozuka
SENJU SPRINKLER CO.,LTD.	Drawing No.	Revision	
	E025410	A	