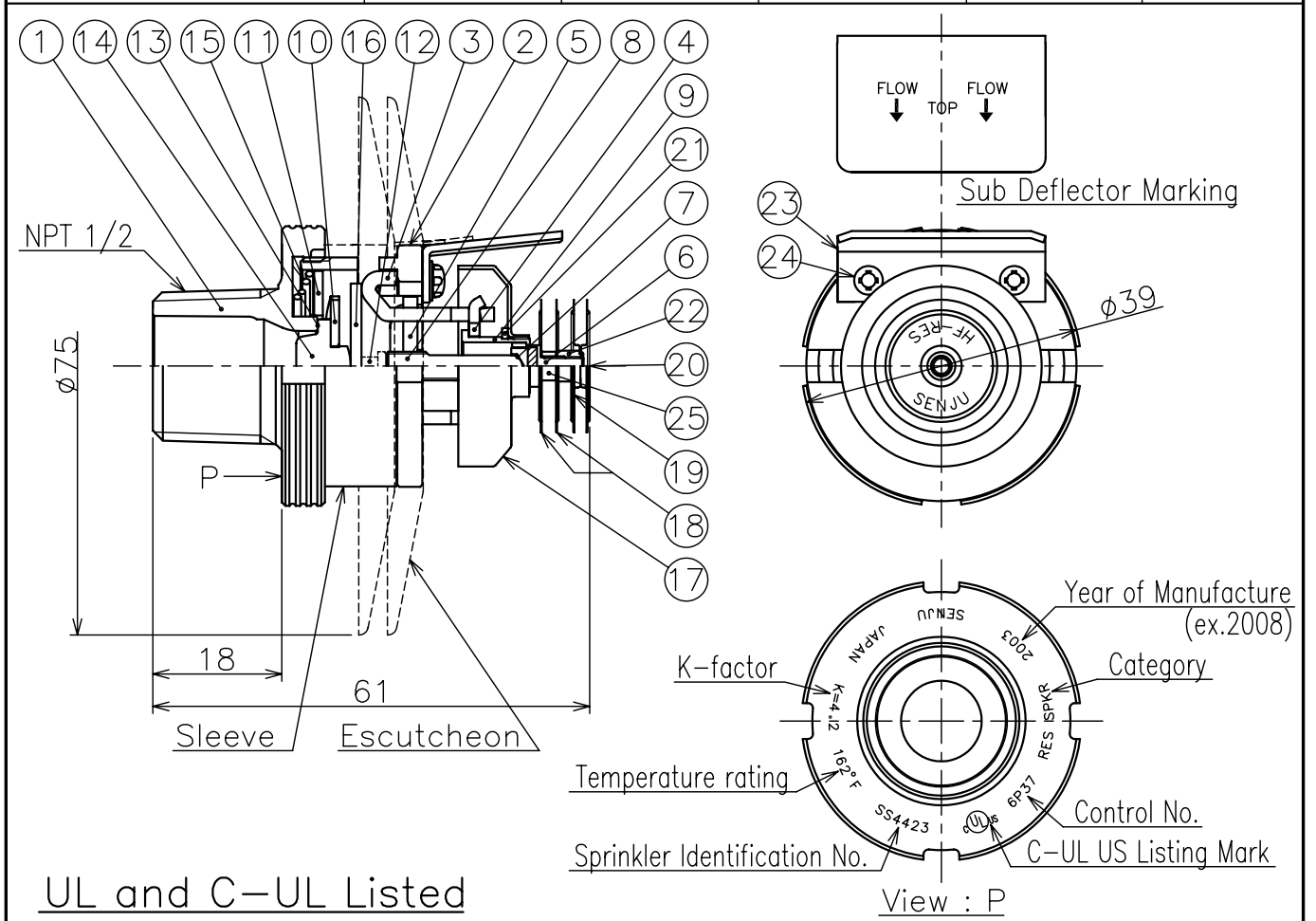


| No. of Parts | Name of Parts | Material | Qua'ty | Remark | No. of Parts | Name of Parts | Material | Qua'ty | Remark |
|--------------|------------------|-------------------|--------|-----------|---|-------------------|------------------|--------|--------|
| 1 | Body | CAC406 or C69300 | 1 | | 14 | Valve Cap | C69300 | 1 | |
| 2 | Flame | CAC406 or CAC406C | 1 | Cr-Plated | 15 | Coned Coil Spring | SUS304 | 1 | |
| 3 | Lever | SUS304 | 2 | | 16 | Saddle | SUS304 | 1 | |
| 4 | Balancer | SUS304 | 1 | | 17 | Cover | C1100 or C1020 | 1 | ※ |
| 5 | Supporting Plate | SUS304 | 1 | | 18 | Heat Collector(U) | C1100 or C1020 | 2 | ※ |
| 6 | Cylinder | C5341 | 1 | | 19 | Heat Collector(M) | C1100 or C1020 | 1 | ※ |
| 7 | Plunger | SUS303 | 1 | | 20 | Heat Collector(L) | C1100 or C1020 | 1 | ※ |
| 8 | Set Screw | SUS304 or SUSXM7 | 1 | | 21 | Stop Ring | SUS304 | 1 | |
| 9 | Holder | MANIC Z-100 | 1 | | 22 | Nut | C3604 | 1 | ※ |
| 10 | Deflector | C5191 | 1 | | 23 | Sub Deflector | C5191 | 1 | ※ |
| 11 | Guide Ring | SUS304 | 1 | | 24 | Special Screw | SUS304 or SUSXM7 | 2 | |
| 12 | Guide Pin | SUS304 | 2 | | 25 | Spacer | C3604 | 1 | ※ |
| 13 | Gasket | PTFE | 1 | | ※Finishes ; Chrome Plated or White Painted Black Painted or Dark Brown Painted | | | | |

Specification

| Type | Operating Temperature | | Installation Position | K-Factor | ID No. |
|-------------------|-----------------------|------|-----------------------|----------|--------|
| | °F | °C | | | |
| HF-RES 162°F K4.2 | 162°F | 72°C | Pendent | 4.2 | SS4423 |



| | | | |
|---|------------------------|-------------|---------------|
| Drawing Name Automatic Sprinkler Head HF-RES K4.2 | Issued Date : 09/06/19 | Drawn by | A. Onodera |
| | Projection Angle 3 r d | Checked by | T. Hatakeyama |
| | Scale : 1 / 1 | Approved by | A. Hotozuka |
| SENJU SPRINKLER CO.,LTD. | Drawing No. | Revision | |
| | E028700 | | |