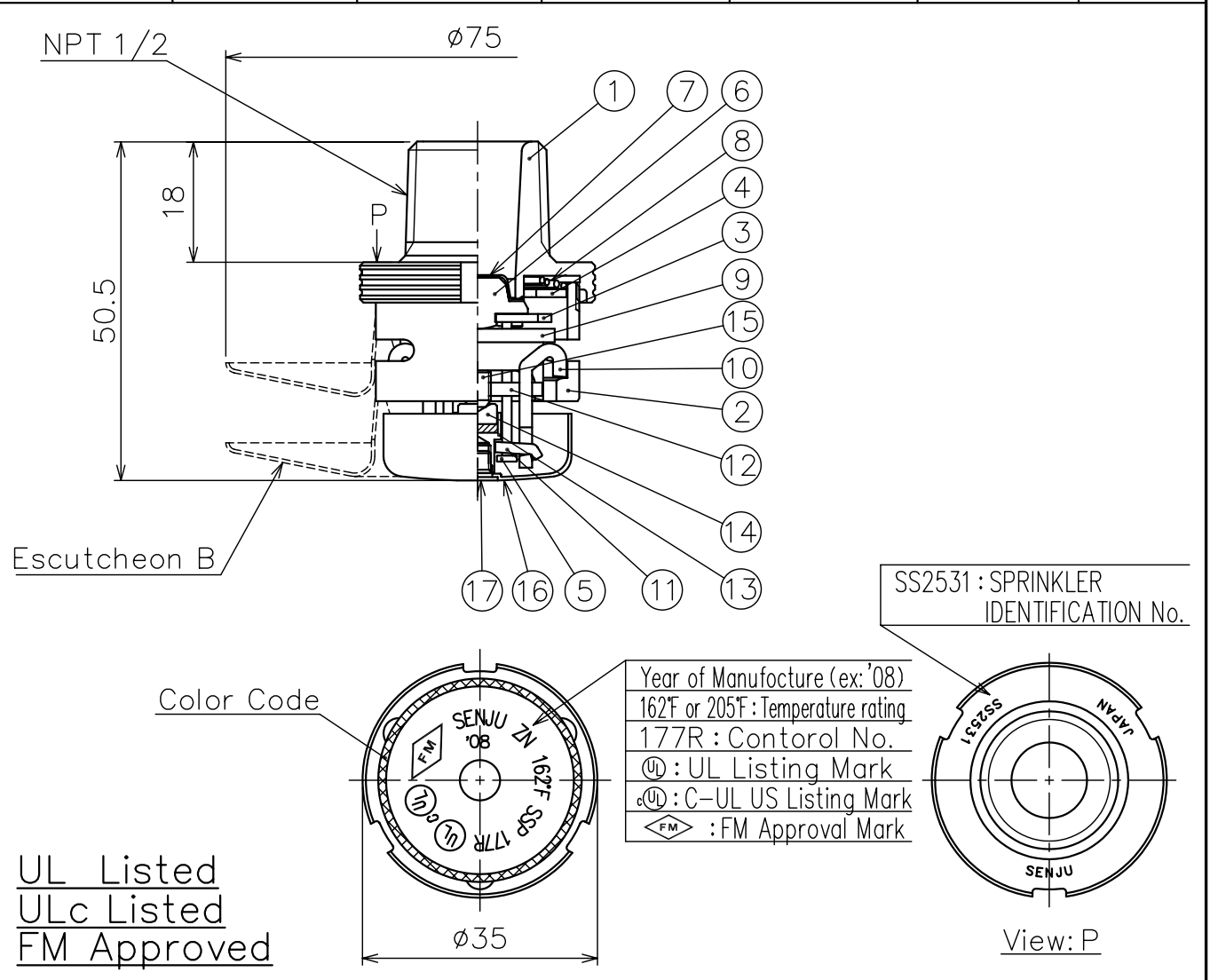


No. of Parts	Name of Parts	Material	Qua'ty	Remark	No. of Parts	Name of Parts	Material	Qua'ty	Remark
1	Body	CAC406	1		10	Lever	SUS304	2	
2	Frame	CAC406	1	Cr-Plated	11	Balancer	SUS304	1	
3	Deflector	C5191	1		12	Supporting Plate	SUS304	1	
4	Guide Ring	SUS304	1		13	Cylinder	C3604	1	
5	Guide Pin	SUS304	3		14	Plunger	C3604	1	
6	Valve Cap	C3604	1		15	Set Screw	SUS304 or SUSXM7	1	
7	Gasket	C1100 or C1020	1		16	Heat Collector	C1100 or C1020	1	※
8	Coned Coil Spring	SUS304	1		17	Flange Bolt	C1100 or C1020	1	※
9	Saddle	SUS304	1		※Finishes; Bright Chrome Plated Satin Chrome Plated White Painted Black Painted				

Specification

Type	Operating Temperature		Installation Position	Color Code	K-Factor	ID No.
	°F	°C				
ZN-UF 72	162°F	72 °C	Pendent	Uncolored	5.6	SS2531
ZN-UF 96	205°F	96 °C		White		



Drawing Name	Issued Date : 08/10/31	Drawn by	A. Onodera	
Automatic Sprinkler Head ZN-UF	Projection Angle	3 r d	Checked by	T. Hatakeyama
	Scale :	1 / 1	Approved by	A. Hotozuka
SENJU SPRINKLER CO.,LTD.	Drawing No.	Revision		
	E013060	G		