

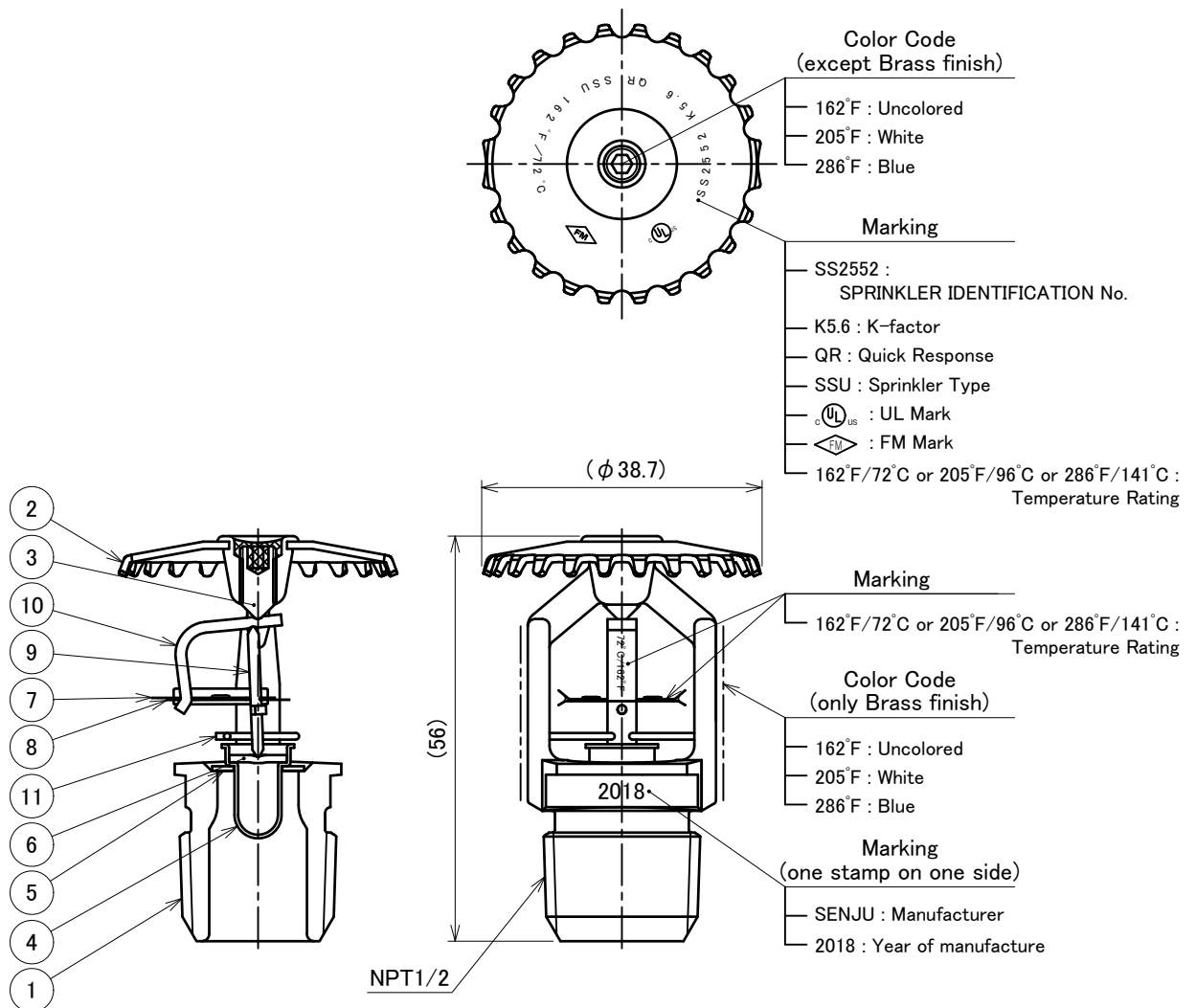
No. of Parts	Name of Parts	Material	Qua'ty	Remarks	No. of Parts	Name of Parts	Material	Qua'ty	Remarks
1	Frame	DZR Brass	1	※1	7	Link (Upper)	Alloy360	1	※2
2	Deflector	C5191 or SUS443J1	1	※1	8	Link (Lower)	Alloy360	1	※2
3	Set Screw	SUSXM7	1		9	Strut	C5191	1	
4	Valve Cap	C1100	1		10	Lever	C5191	1	
5	Disk Spring	Be-Ni/PTFE	1		11	Spring	SUS304	1	
6	Support Disk	SUS304	1						

※1 : Brass Finish or White Painted or Black Painted or Chrome Plated  
 ※2 : White Painted or Black Painted

**Specification**

Type	Operating Temperature		Installation Position	Color Code	K-Factor	ID No.
	°F	°C				
FR-QR 162°F	162°F	72 °C	Upright	Uncolored	5.6	SS2552
FR-QR 205°F	205°F	96 °C		White		
FR-QR 286°F	286°F	141 °C		Blue		

UL and C-UL Listed  
 FM Approved



Drawing Name <b>Automatic Sprinkler Head FR-QR Upright K5.6</b>	Issued Date : 2018/08/07	Drawing No.	Revision
	Projection Angle 3 r d	<b>E086720</b>	
	Scale : 1 / 1	<b>SENJU SPRINKLER CO.LTD.</b>	