

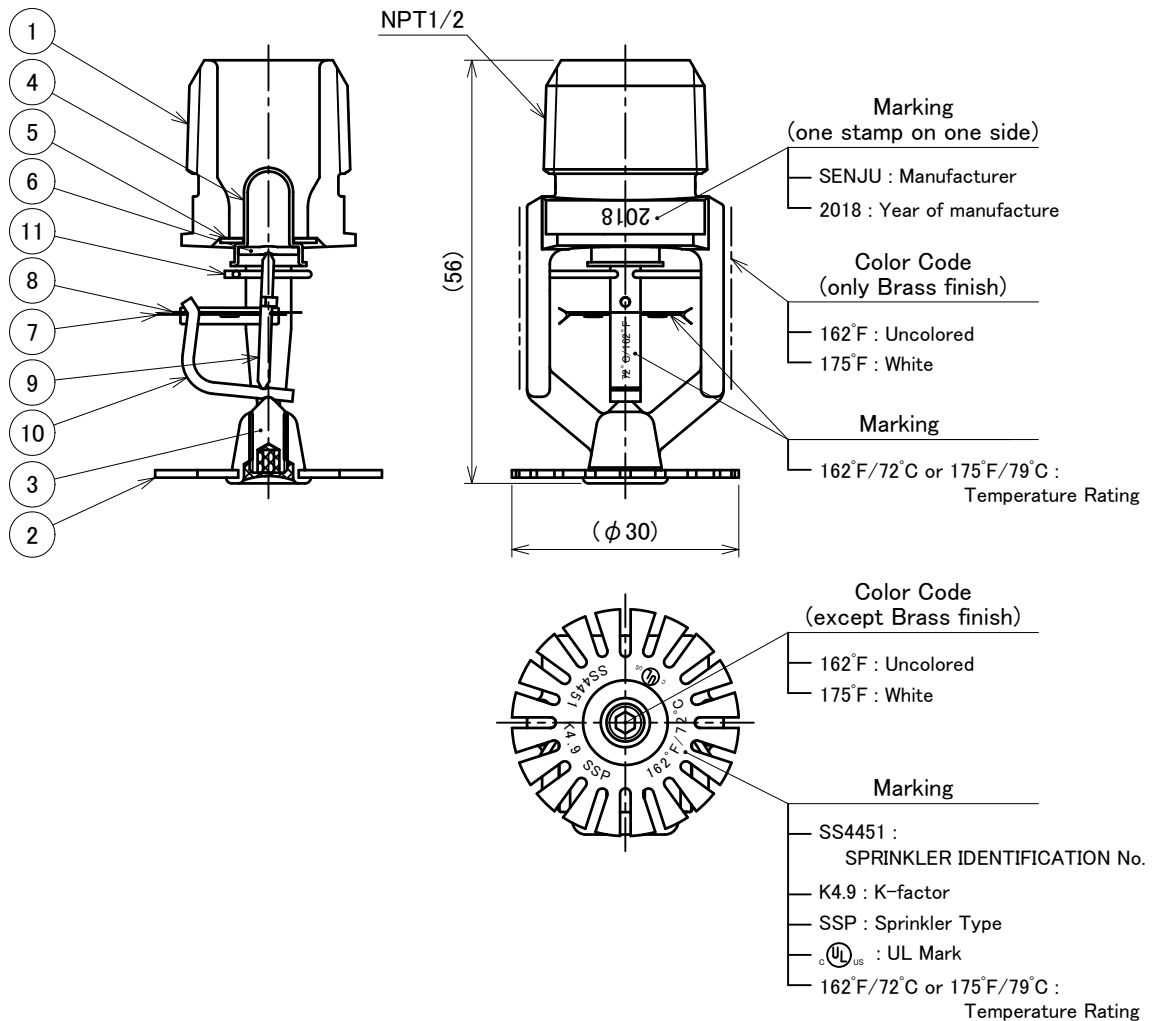
No. of Parts	Name of Parts	Material	Qua'ty	Remarks	No. of Parts	Name of Parts	Material	Qua'ty	Remarks
1	Frame	DZR Brass	1	※1	7	Link (Upper)	Alloy360	1	※2
2	Deflector	C5191	1	※1	8	Link (Lower)	Alloy360	1	※2
3	Set Screw	SUSXM7	1		9	Strut	C5191	1	
4	Valve Cap	C1100	1		10	Lever	C5191	1	
5	Disk Spring	Be-Ni/PTFE	1		11	Spring	SUS304	1	
6	Support Disk	SUS304	1						

※1 : Brass Finish or White Painted or Black Painted or Chrome Plated
 ※2 : White Painted or Black Painted

Specification

Type	Operating Temperature		Installation Position	Color Code	K-Factor	ID No.
	°F	°C				
FR-RES 162°F	162°F	72 °C	Pendent	Uncolored	4.9	SS4451
FR-RES 175°F	175°F	79 °C		White		

UL and C-UL Listed



Drawing Name	Issued Date : 2018/07/12	Drawing No.	Revision
Automatic Sprinkler Head FR-RES K4.9	Projection Angle 3 r d	E087140	A
	Scale : 1 / 1		
			SENJU SPRINKLER CO.LTD.