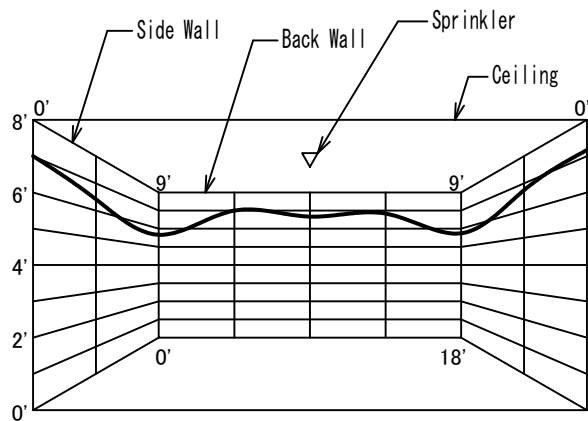
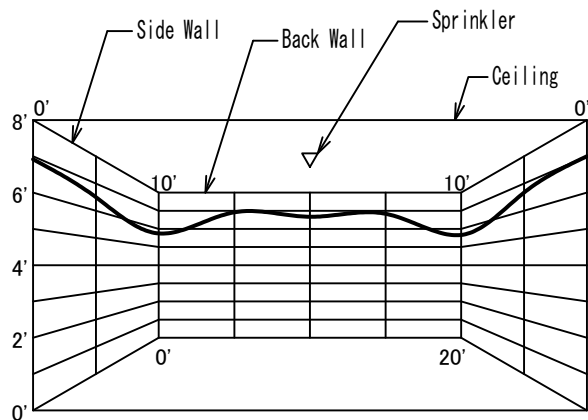


SS8561 RC-RES 5.8K 16GPM-7.6psi
16'x16' Room Size
(Half Pattern)



SS8561 RC-RES 5.8K 17PM-8.6psi
18'x18' Room Size
(Half Pattern)



SS8561 RC-RES 5.8K 20GPM-11.9psi
20'x20' Room Size
(Half Pattern)

Drawing Name	Issued Date : 2019/12/06	Drawing No.	Revision
<p style="text-align: center;">Wall Wetting Patterns RC-RES SS8561 K5.8</p>	Projection Angle —	E087470-Z	A
	Scale : Free		