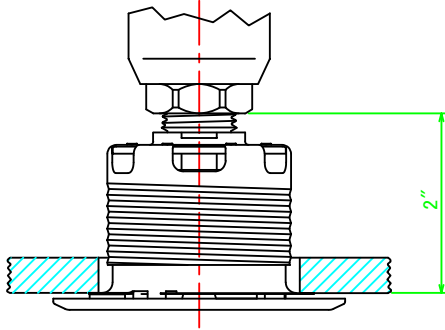
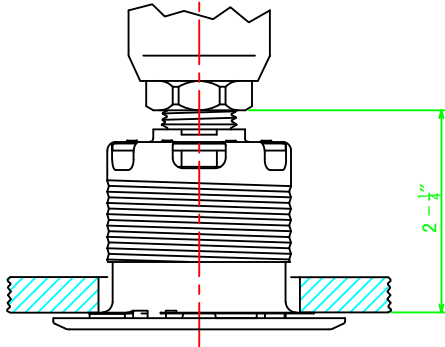


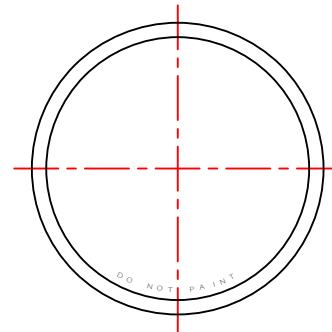
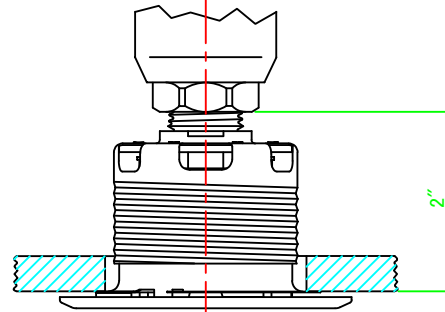
Minimum $1 - \frac{3}{4}$ "



Standard Installation



Maximum $2 - \frac{1}{4}$ "



Standard Installation