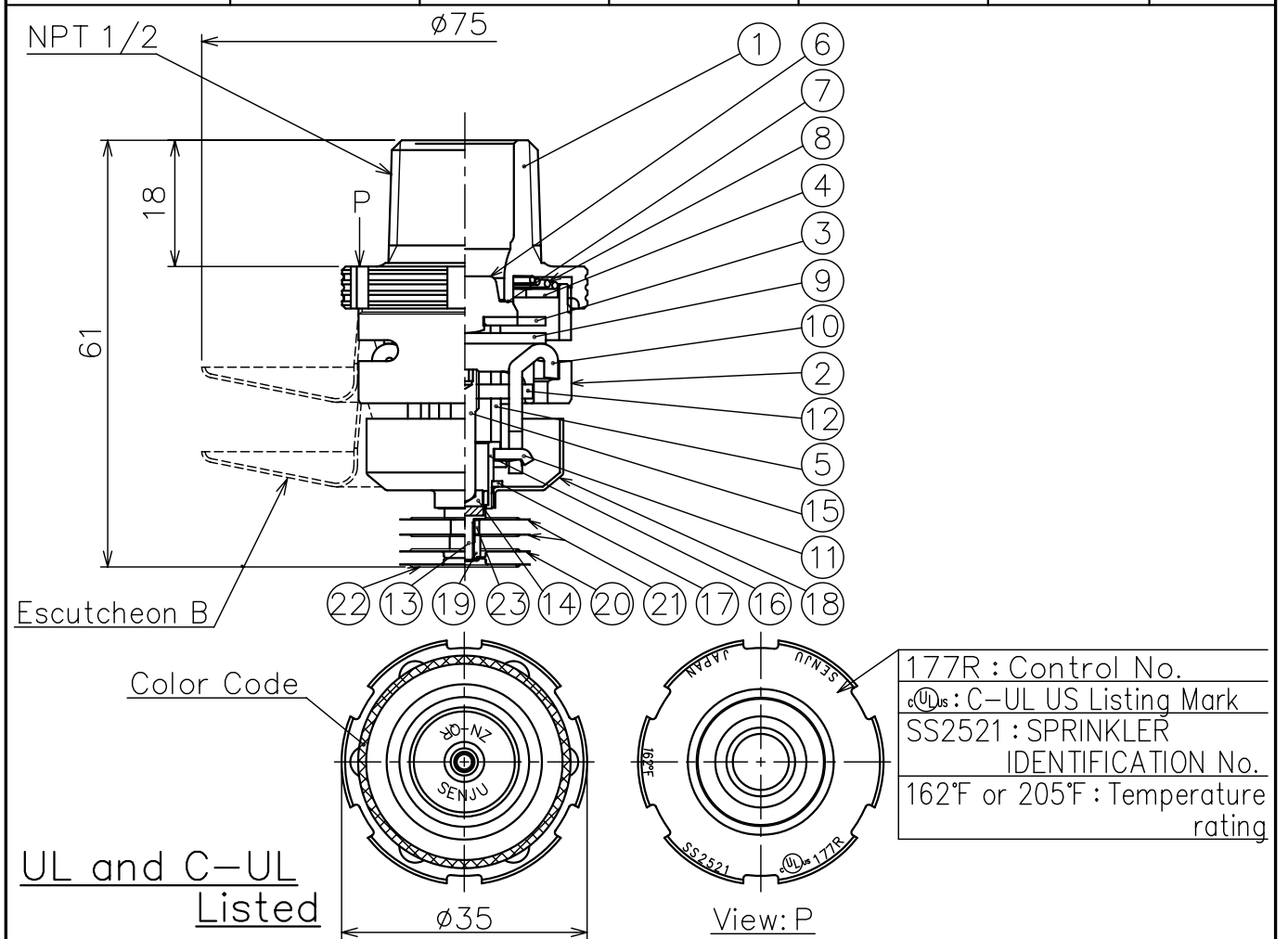


| No. of Parts | Name of Parts     | Material          | Qua'ty | Remark    | No. of Parts                                               | Name of Parts      | Material         | Qua'ty | Remark |
|--------------|-------------------|-------------------|--------|-----------|------------------------------------------------------------|--------------------|------------------|--------|--------|
| 1            | Body              | CAC406 or C69300  | 1      |           | 13                                                         | Cylinder           | C5341            | 1      |        |
| 2            | Flame             | CAC406 or CAC406C | 1      | Cr-Plated | 14                                                         | Plunger            | SUS303           | 1      |        |
| 3            | Deflector         | C5191             | 1      |           | 15                                                         | Set Screw          | SUS304 or SUSXM7 | 1      |        |
| 4            | Guide Ring        | SUS304            | 1      |           | 16                                                         | Holder             | MANIC Z-100      | 1      |        |
| 5            | Guide Pin         | SUS304            | 3      |           | 17                                                         | Stop Ring          | SUS304           | 1      |        |
| 6            | Valve Cap         | C69300            | 1      |           | 18                                                         | Cover              | C1100 or C1020   | 1      | ※      |
| 7            | Gasket            | PTFE              | 1      |           | 19                                                         | Nut                | C3604            | 1      | ※      |
| 8            | Coned Coil Spring | SUS304            | 1      |           | 20                                                         | Heat Collector (M) | C1100 or C1020   | 1      | ※      |
| 9            | Saddle            | SUS304            | 1      |           | 21                                                         | Heat Collector (U) | C1100 or C1020   | 2      | ※      |
| 10           | Lever             | SUS304            | 2      |           | 22                                                         | Heat Collector (L) | C1100 or C1020   | 1      | ※      |
| 11           | Balancer          | SUS304            | 1      |           | 22                                                         | Spacer             | C3604            | 1      | ※      |
| 12           | Supporting Plate  | SUS304            | 1      |           | ※Finishes; White Painted<br>Black Painted<br>Chrome Plated |                    |                  |        |        |

### Specification

| Type        | Operating Temperature |       | Installation Position | Color Code | K-Factor | ID No. |
|-------------|-----------------------|-------|-----------------------|------------|----------|--------|
|             | °F                    | °C    |                       |            |          |        |
| ZN-QR 162°F | 162°F                 | 72 °C | Pendent               | Uncolored  | 5.6      | SS2521 |
| ZN-QR 205°F | 205°F                 | 96 °C |                       | White      |          |        |



|                                                   |                        |             |               |
|---------------------------------------------------|------------------------|-------------|---------------|
| Drawing Name<br>Automatic Sprinkler Head<br>ZN-QR | Issued Date : 10/02/26 | Drawn by    | A. Onodera    |
|                                                   | Projection Angle 3 r d | Checked by  | T. Hatakeyama |
| SENJU SPRINKLER CO.,LTD.                          | Scale : 1 / 1          | Approved by | A. Hotozuka   |
|                                                   | Drawing No.<br>E029420 | Revision    |               |