



# Senju Sprinkler

## UNIVERSAL FLUSH ACCESS PANEL MODEL: SS-0241

The SS-0241 universal flush access panels are suited for installations in drywall, masonry, tile or other wall and ceiling surfaces.

### SPECIFICATIONS

**Door:** 18 gauge (1.5mm) galvanized steel and flush to the frame

**Frame:** 18 gauge (1.5mm) galvanized steel welded frame with a one-piece construction 1" wide flange

**Hinge:** Concealed Pin Hinge

**Latch:** Flush and screwdriver operated with steel cam latch

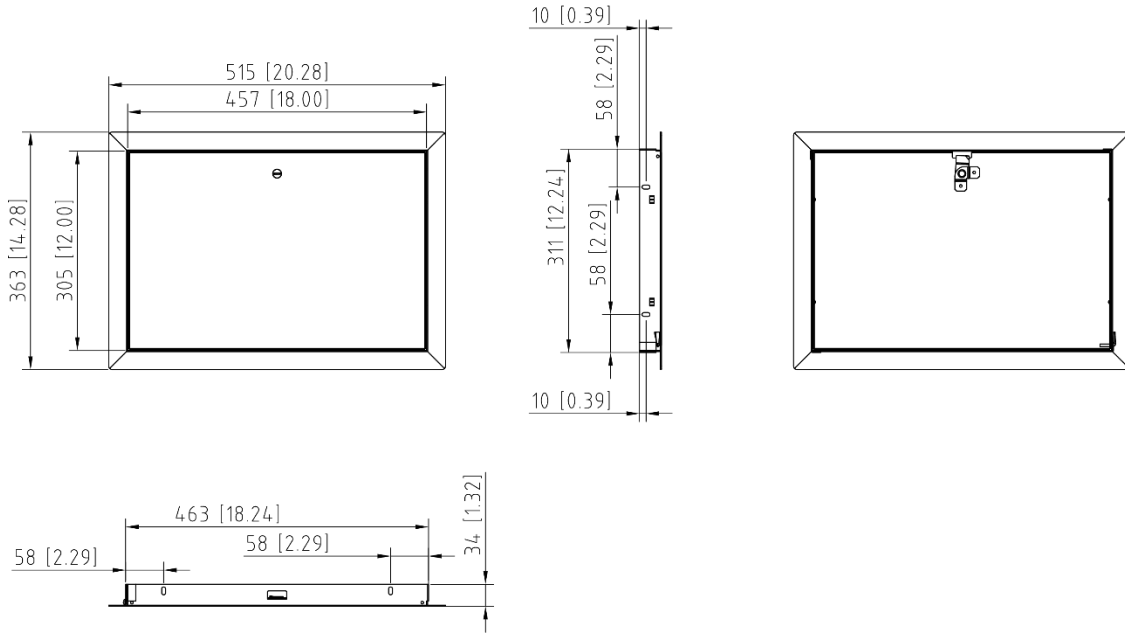
**Finish:** White (RAL9016) powder coating

### STANDARD SIZES

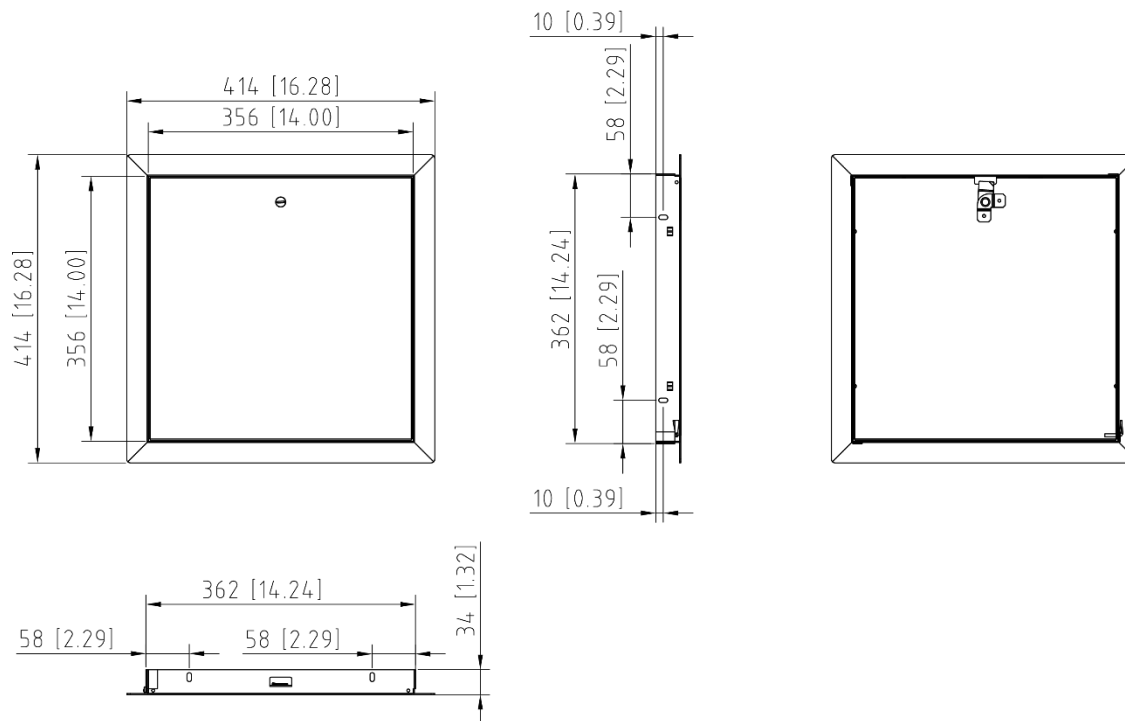
Panel Size W x H (Inches)	Part Number	Wall/Ceiling Opening (Inches)	# of Latches	Weight (Lbs.)
12 X 18	90000-140-0411	12- $\frac{1}{4}$ X 18- $\frac{1}{4}$	1	6.5
14 X 14	90000-140-0301	14- $\frac{1}{4}$ X 14- $\frac{1}{4}$	1	5.8
14 X 24	90000-140-0201	14- $\frac{1}{4}$ X 24- $\frac{1}{4}$	3	9.2
14 X 30	90000-140-0211	14- $\frac{1}{4}$ X 30- $\frac{1}{4}$	3	11.3

# ACCESS PANEL DETAILED SIZES

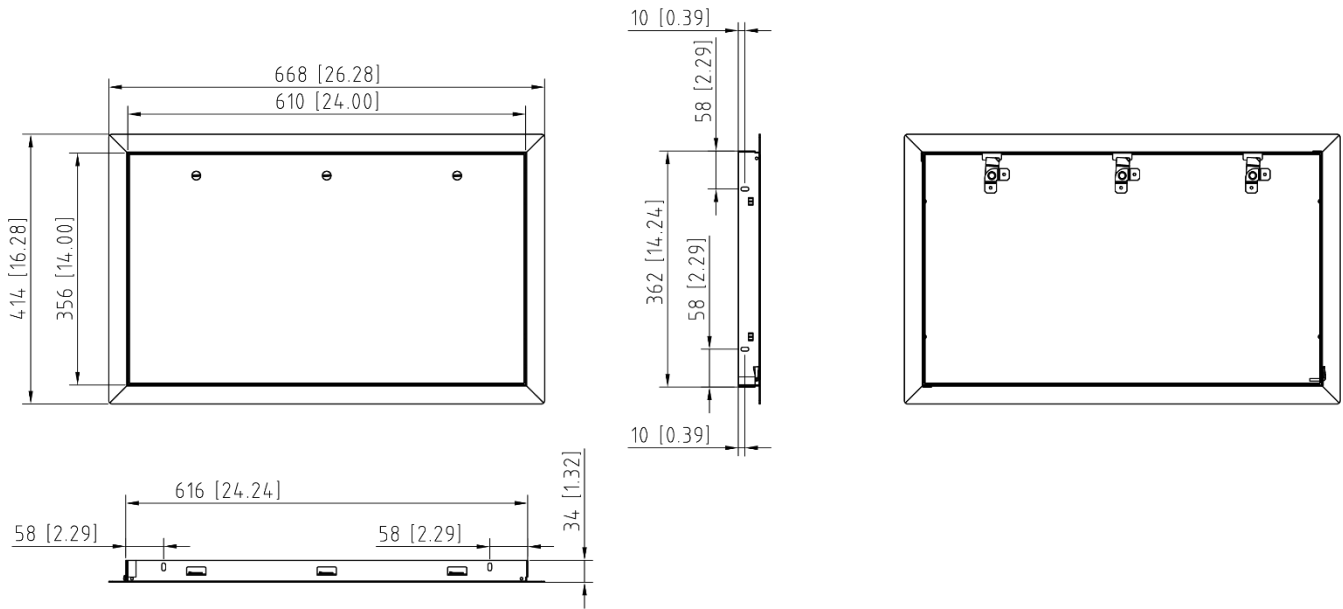
## 12 x 18 Access Panel



## 14 x 14 Access Panel



## 14 x 24 Access Panel



## 14 x 30 Access Panel

