

SPRINKLER PRESSURE GAUGES

DESCRIPTION: Senju Sprinkler Gauges are designed for use and install quickly in wet or dry residential sprinkler systems.

- FEATURE / BENEFITS:**
- Ideal for use in residential sprinkler systems
 - Can be installed quickly to residential riser and other water based systems in less time

SPECIFICATIONS:

Size:

3.5" (97.8mm)

Accuracy:

± 3-2-3% (Grade B)

Ranges:

0-300 psi, air/water

Bourdon Tube:

Copper Alloy, C-type

Connection:

Copper Alloy, 1/2" NPT Lower Mount (LM)

Window:

High Impact Resistance Polycarbonate one-piece ring and crystal

Dial:

Aluminum, white background with black and red lettering

Pointer:

Aluminum, painted black

Case:

ABS, black

Movement:

Copper Alloy

Standard Scales:

PSI

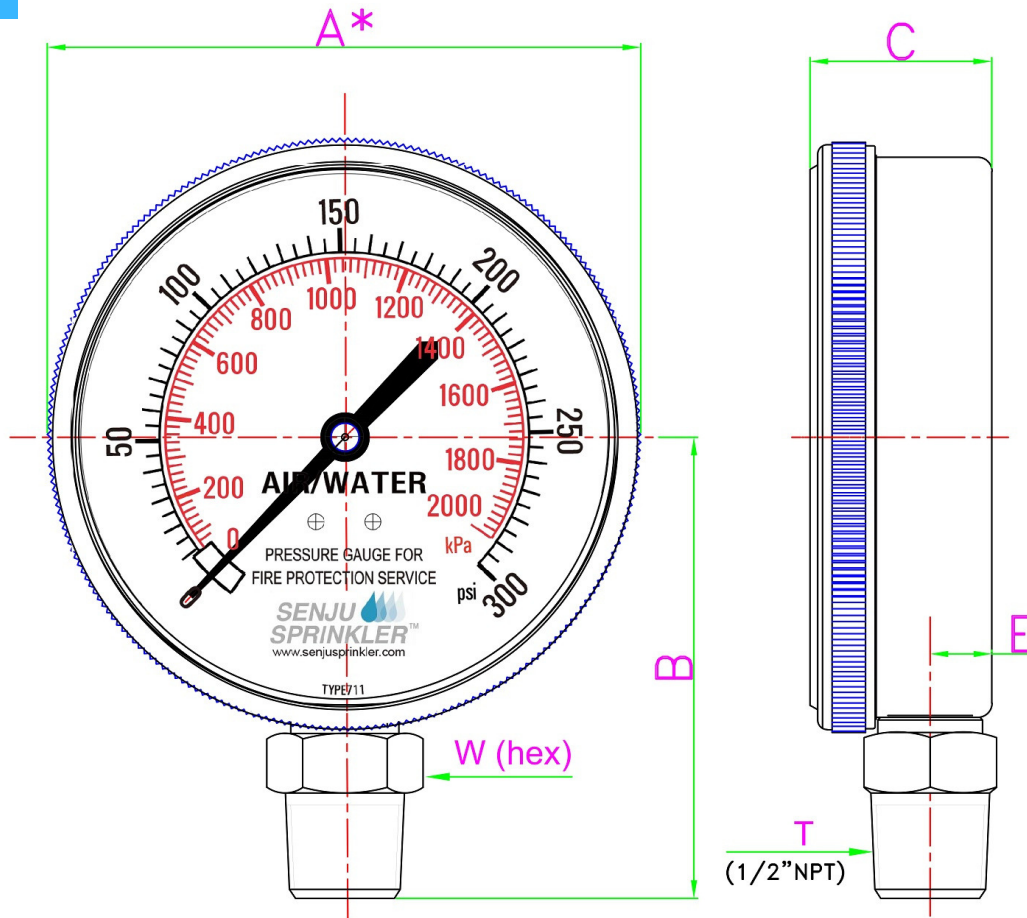
***Specifications are subject to change without notice**



WARNING: Cancer and Reproductive Harm-
www.P65Warnings.ca.gov

SPRINKLER PRESSURE GAUGES

DIMENSIONS:



A*NOMINAL SIZE

3-1/2"	WEIGHT	KEY	A*	B	C	E	T	W
		mm	98.5	79.0	30.2	10.4		1/2"
		in	3.878	3.110	1.188	0.409		0.866