

DATA SHEET

1/2" MIP x 3/4" MHT Hose Bibb with Butterfly Handle Lead Free Brass

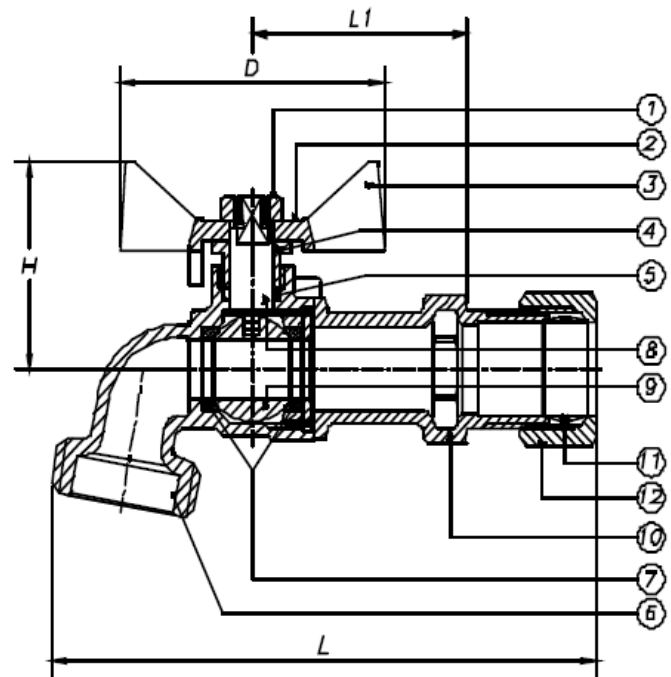
FEATURE:

- Lead Free Brass
- Smooth Quarter-Turn Operation
- Ideal for Residential and Commercial Use
- AB 1953, NSF/ANSI 61 & 372 certified
- Maximum Working Pressure 125 PSI



MATERIAL:

No	Part	Materials
1	Nut	Brass (C26000)
2	Name Plate	Aluminum (A1100)
3	Handle	Zinc (Z30A)
4	Packing Nut	Brass (C37700)
5	Packing	Teflon Polyflon
6	Body	Brass (C46400 MOD)
7	Ball Packing	Teflon Polyflon
8	Stem	Brass (C46400)
9	Ball	Brass (C46400)
10	Bonnet	Brass (C46400 MOD)
11	Sleeve	Brass (C46400)
12	Packing Nut	Brass (C37700)



DIMENSION, WEIGHT:

Size	Part Number	D	H	Weight
1/2" MIP X 3/4" MHT	90000-170-0000	1.9 in	1.4 in	0.14 lb



WARNING: Cancer and Reproductive Harm-
www.P65Warnings.ca.gov