

LEAD FREE BRONZE IN-LINE CHECK VALVE

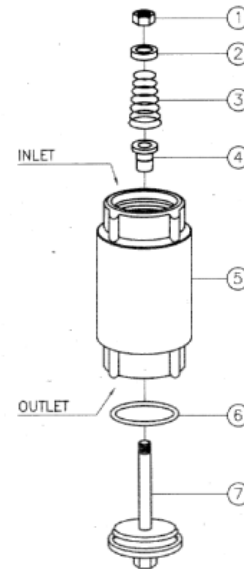
FEATURE:

- Lead free bronze
- Threaded ends
- Spring loaded
- Horizontal or vertical installation
- NBR O-Ring
- AB 1953, NSF/ANSI 61&372 certified
- Temperature Rating 180°F
- Pressure Rating 200 PSI



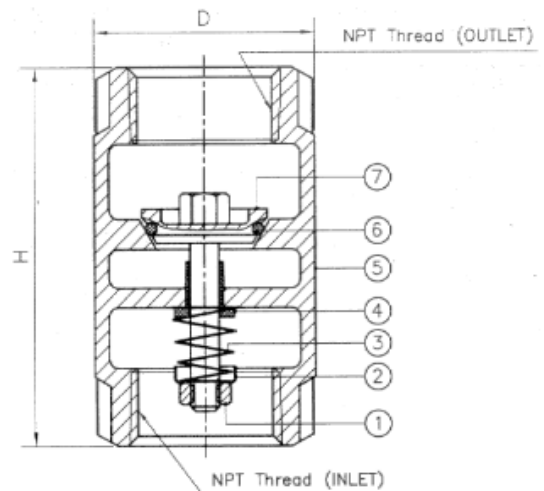
MATERIAL:

No	Part	Materials
1	Nut	Stainless Steel 304
2	Spring Holder	Stainless Steel 304
3	Spring	Stainless Steel 304
4	Stem House	POM
5	Body	Bronze C89844
6	O-Ring	Rubber, NBR
7	Stem	Bronze C89844



DIMENSION, WEIGHT:

Size	Part Number	D (IN)	H (IN)	Weight (LB)
1"	90000-160-0004	1.77	3.23	0.89
1-1/4"	90000-160-0005	2.13	3.62	1.37
1-1/2"	90000-160-0006	2.36	4.04	1.59
2"	90000-160-0007	3.03	5.04	3.16



 **WARNING:** Cancer and Reproductive Harm-
www.P65Warnings.ca.gov

LEAD FREE BRONZE IN-LINE CHECK VALVE

FLOW CHART SERIES

